

# 1-5/8" Strut Channel

- Pre-galvanized, G90 zinc finish
- 12 gauge
- 180 pounds per 100'
- Standard lengths: 10' and 20'

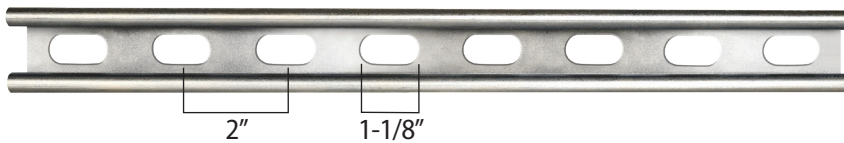
Custom lengths available upon request



## TS12-158U-PG

Universal Slot 1-5/8" Strut

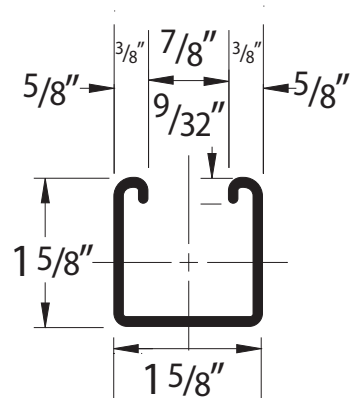
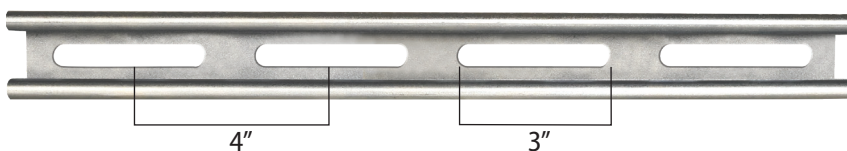
Slots: 1-1/8" x 9/16". 2" on center



## TS12-158LS-PG

Long Slot 1-5/8" Strut

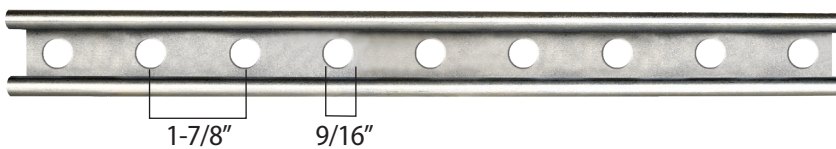
Slots: 9/16" x 3". 4" on center.



## TS12-158R-PG

Round Slot 1-5/8" Strut

Slots: 9/16". 1-7/8" on center



## 13/16" Shallow Strut Channel

- Pre-galvanized, G90 zinc finish
- 14 gauge
- 100 pounds per 100'
- Standard lengths: 10' and 20'

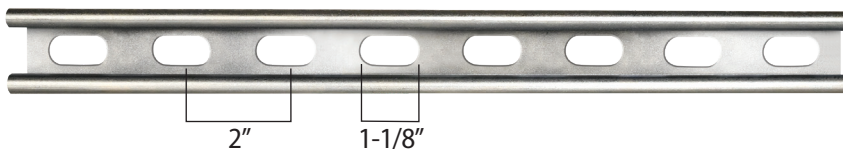
Custom lengths available upon request



### TS14-1316U-PG

Universal Slot 13/16" Strut

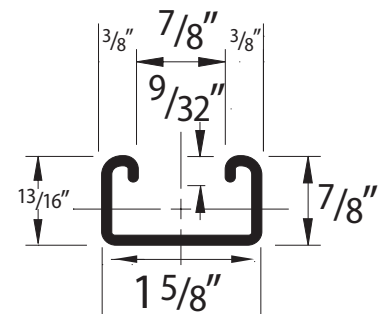
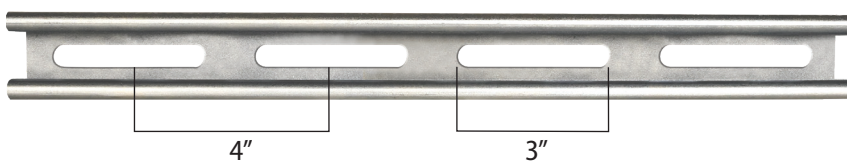
Slots: 1-1/8" x 9/16". 2" on center



### TS14-1316LS-PG

Long Slot 13/16" Strut

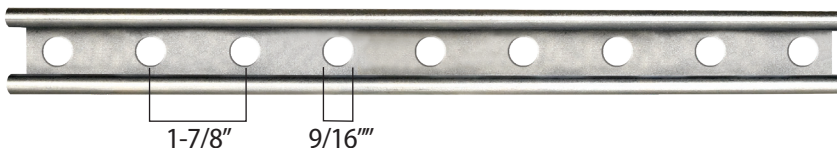
Slots: 9/16" x 3". 4" on center



### TS14-1316R-PG

Round Slot 13/16" Strut

Slots: 9/16". 1-7/8" on center



MAVERICK  PIPE

## Back-to-Back Strut Channel

- Pre-galvanized, G90 zinc finish
- 12 gauge
- 360 pounds per 100'
- Standard lengths: 10' and 20'

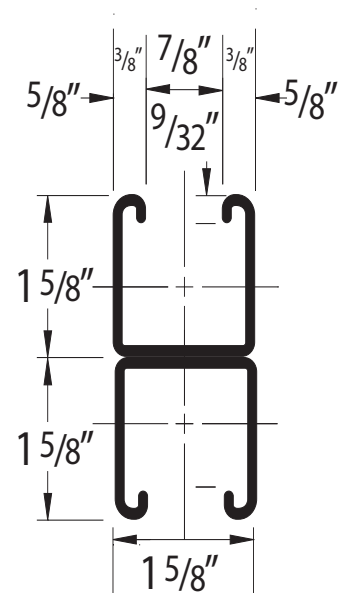
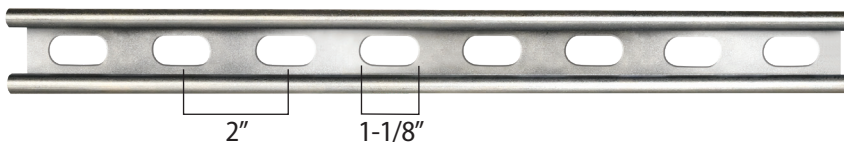
*Custom lengths available upon request*



**TS12-158U-PG-B2B**

Universal Slot 1-5/8" Strut

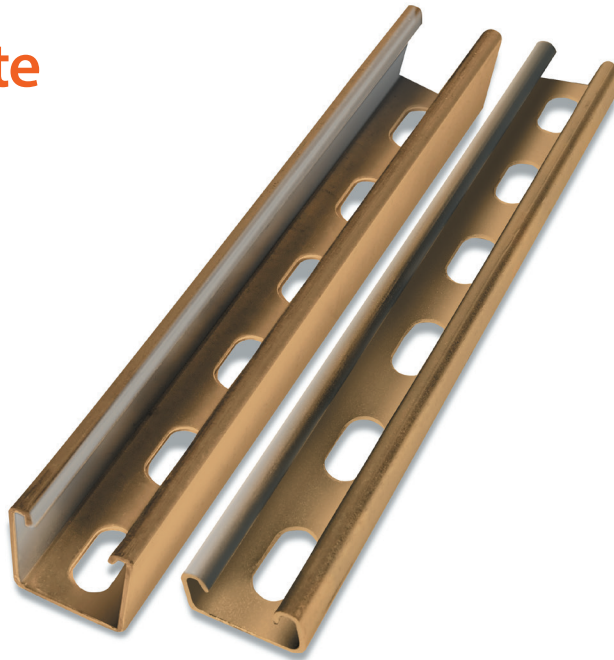
Slots: 1-1/8" x 9/16". 2" on center



MAVERICK  PIPE

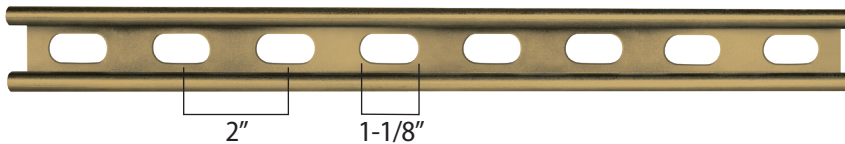
# Yellow Zinc Dichromate Strut Channel

- Standard lengths: 10' and 20'
- Custom lengths available upon request

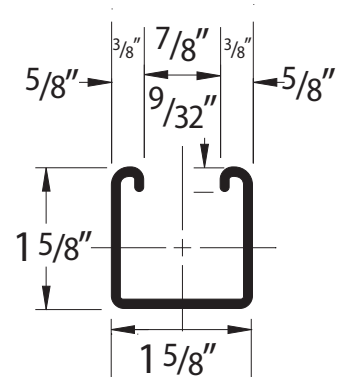


## TS12-158U-Y

Universal Slot 1-5/8" Strut 12 Gauge, Slots: 1-1/8" x 9/16". 2" on center

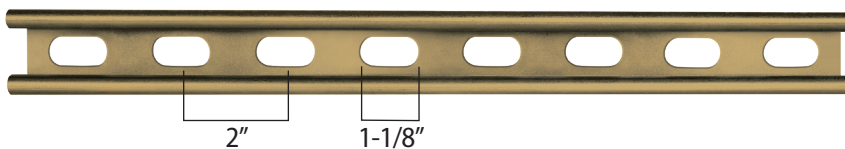


- 180 pounds per 100'

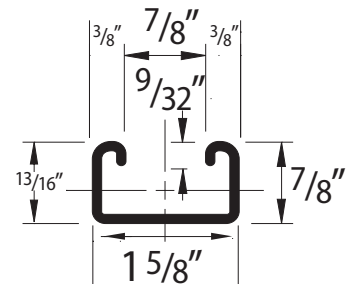


## TS14-1316U-Y

Universal Slot 13/16" Strut 14 Gauge, Slots: 1-1/8" x 9/16". 2" on center



- 100 pounds per 100'



## Green Strut Channel

Green coated strut provides superior resistance to chalking, checking, and fading. Due to the coating's corrosion resistance, green coated strut is used in applications with exposure to common acidic atmospheres, solvents, and alkalis.

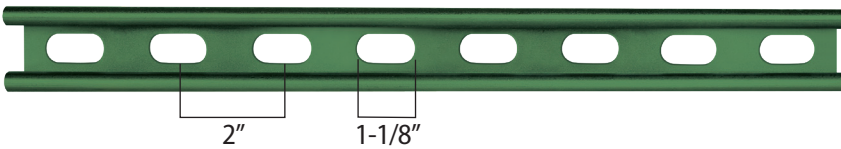
- Standard lengths: 10' and 20'

Custom lengths available upon request

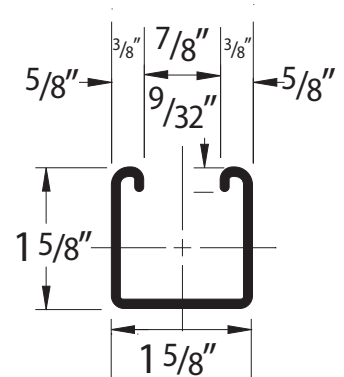


### TS12-158U-G

Universal Slot 1-5/8" Strut 12 Gauge, Slots: 1 1/8" x 9/16". 2" on center

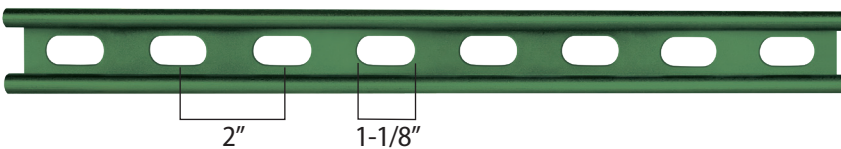


- 180 lbs. per 100'



### TS14-1316U-G

Universal Slot 13/16" Strut 14 Gauge, Slots: 1 1/8" x 9/16". 2" on center



- 100 lbs. per 100'

